



**Typical Feature**

- ◆ Fixed Input Voltage, isolated & regulated Output, power 1W
- ◆ High efficiency up to 74%
- ◆ Small SMD package, international standard pin out
- ◆ Isolation Voltage 1500VDC
- ◆ Operating Temperature: -40°C to +85°C
- ◆ Plastic case, meet to UL94 V-0 standard



**Application Filed**

*Widely used in instrumentation, communication, pure digital circuits, general low-frequency analog circuits, relay drive circuits, data exchange circuits, etc.*

**Typical Product List**

Part No	Input voltage range (VDC)		Input Voltage/Current(Vo/Io)		Input Current(mA)		Max capa	Ripple& Noise	Efficiency (%)@full load,	
	Nominal	Range	Voltage (VDC)	Current (mA)MAX./Min.	Full load typ.	No load typ.	uF	mVp-p	Min.	Typ.
NW1-05S3V3ANT	5	4.75	3.3	250/25	290	6	2400	80	67	70
NW1-05S05ANT		-	5	200/20	265	6	2400	80	70	73
NW1-05S12ANT		5.25	12	84/9	260	8	560	80	71	74
NW1-12S3V3ANT	12	11.4	3.3	250/25	110	8	2400	80	67	70
NW1-12S05ANT		-	5	200/20	108	8	2400	80	70	73
NW1-12S12ANT		12.6	12	84/9	107	8	560	80	71	74
NW1-24S3V3ANT	24	22.8	3.3	250/25	56	8	2400	80	67	70
NW1-24S05ANT		-	5	200/20	54	8	2400	80	70	73
NW1-24S12ANT		25.2	12	84/9	52	8	560	80	71	74

In order to ensure that the module can work efficiently and reliably, when in use, the minimum output load cannot be less than 10% of the rated load. If the power you need is really small, please connect a resistor in parallel at the output end, the recommended resistance is equivalent to 10% of the rated power.

**Input Specifications**

Item	Operating Condition	Min.	Typ.	Max.	Unit
Input Overshoot Voltage (1sec.max.)	5Vdc Input	-0.7		9	VDC
	12Vdc Input	-0.7		18	
	24Vdc Input	-0.7		30	
Input Filter Type	Capacitor Filter				

**Output Specifications**

Item	Operating Condition	Min.	Typ.	Max.	Unit
------	---------------------	------	------	------	------



Output Power		0.1	-	1	W
Output Voltage Accuracy	Nominal input, full load	-	±2	±3	%
Load Regulation	10%-100% load	-	--	±3	
Line Regulation	Input voltage change ±1%	-	-	±0.25	
Ripple & Noise ①	Nominal input, full load, 20MHZ bandwidth	--	35	80	mVp-p
Temperature Drift Coefficient	100% load	-	-	±0.03	%/°C
Short Circuit Protection	Continuous, Self-recovery				

Note: ① ripple & noise is tested by Twisted pair method.

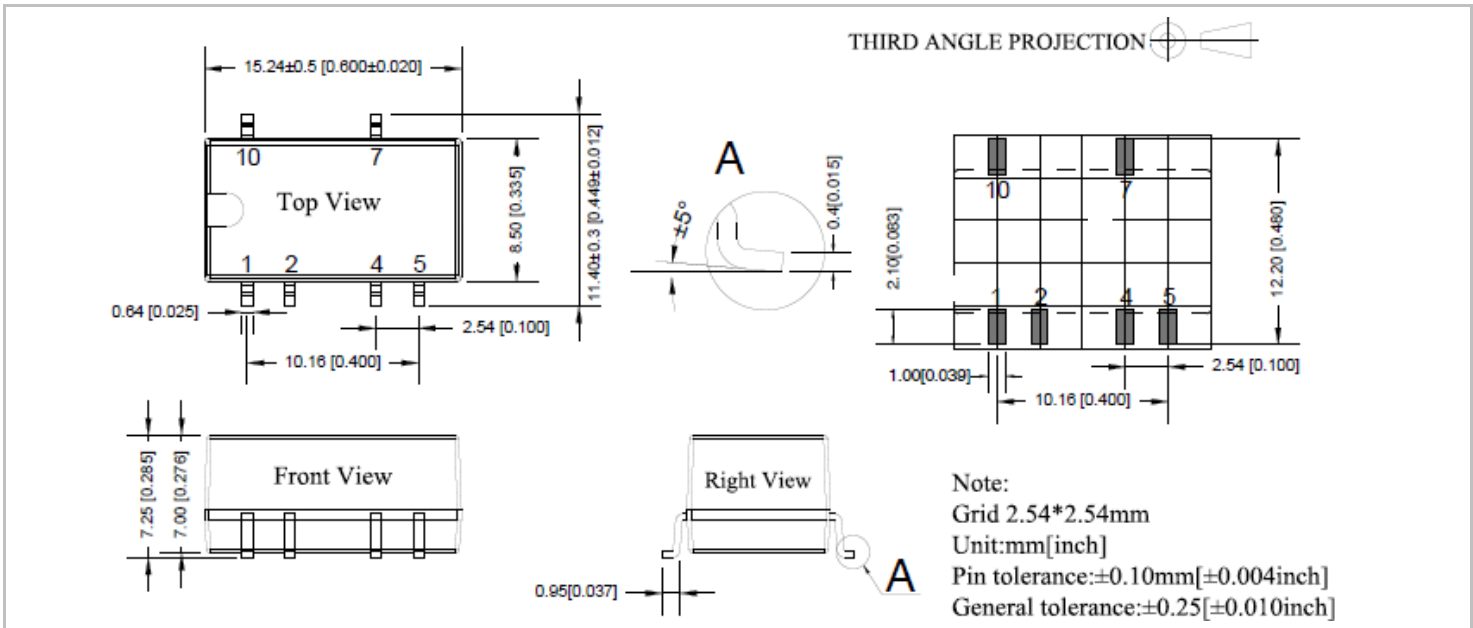
**General Specifications**

Switching Frequency	Typical	260KHz (Typ.)
Operating Temperature	see Temperature Derating Curve	-40°C ~ +85°C
Storage Temperature		-55°C ~ +125°C
Reflow Temperature	Peak temperature Tc≤250°C, maxi time is 60S for temperature above 217°C	
Case Temperature Rise	Within temperature derating curve	25°C(Typ.)
Relative Humidity	non-condensing	5%~95%
Case Material		Black flame-retardant, heat-resistant plastic (UL94 V-0)
Pin soldering temperature	10 seconds at a distance of 1.5mm from the housing	300°C MAX
Isolation Voltage	Test 1min, leakage current≤0.5mA	1500Vdc
Isolation Capacitor	Input-output, 100KHz/0.1V	20 pF (Typ.)
MTBF	MIL-HDBK-217F@25°C	35X10 <sup>5</sup> Hrs
Product Weight		1.4g (Typ.)

**EMC Characteristic**

EMI	CE	CISPR32/EN55032 CLASS B(see EMC recommended circuit)
	RE	CISPR32/EN55032 CLASS B(see EMC recommended circuit)
EMS	ESD	IEC/EN61000-4-2 Air±8kV, Contact±6kV perf.Criteria B

**Packing Information**



Packing Code	L x W x H	
ANT	15.24X11.40X7.25 mm	0.600X0.449X0.285inch

**Pin Definition**

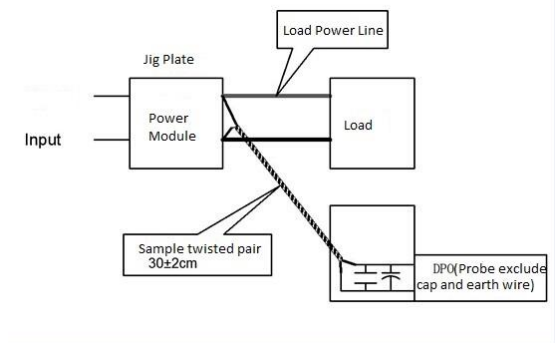
Pin-Out	1	2	4	5	7	10
Function	GND	Vin	0V	0V	+Vo	*NC

**Ripple & Noise Test: (Twisted Pair Method 20MHZ bandwidth)**

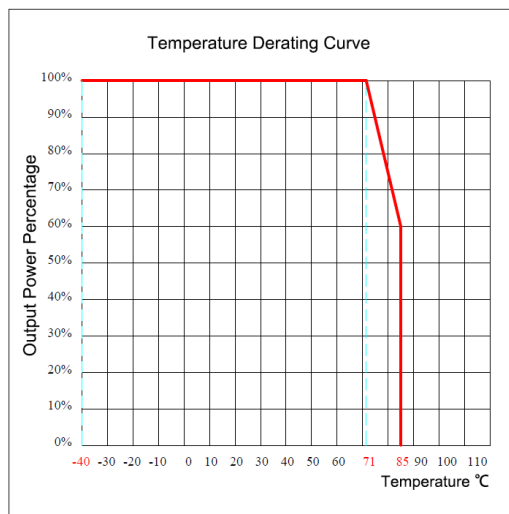
Test Method:

a. 12# twisted pair to connect, Oscilloscope bandwidth set as 20MHz, 100M bandwidth probe, terminated with 0.1uF polypropylene capacitor and 10uF high frequency low resistance electrolytic capacitor in parallel, oscilloscope set as Sample pattern.

b. Input terminal connect to power supply, output terminal connect to electronic load through jig plate, Use 30cm±2 cm sampling line, Power line selected from corresponding diameter wire with insulation according to the flow of output current.



**Products Characteristic Curve**



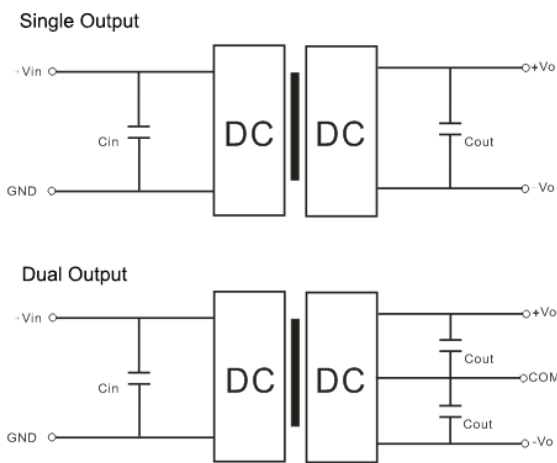
**Application Circuit**

**1. Output load requirements**

- a. In order to ensure the converter can work reliably with high efficiency, the minimum load should not less than 10% rated load when it is used. If the needed power is indeed small, please parallel a resistor at the output side, the resistance equal to 10% nominal load.
- b. The maximum capacitive load is tested under nominal input full load, and cannot exceed the maximum capacitive load of output terminal under operation, otherwise it will cause it difficult to start up and damage the product.

**2. Recommended circuit**

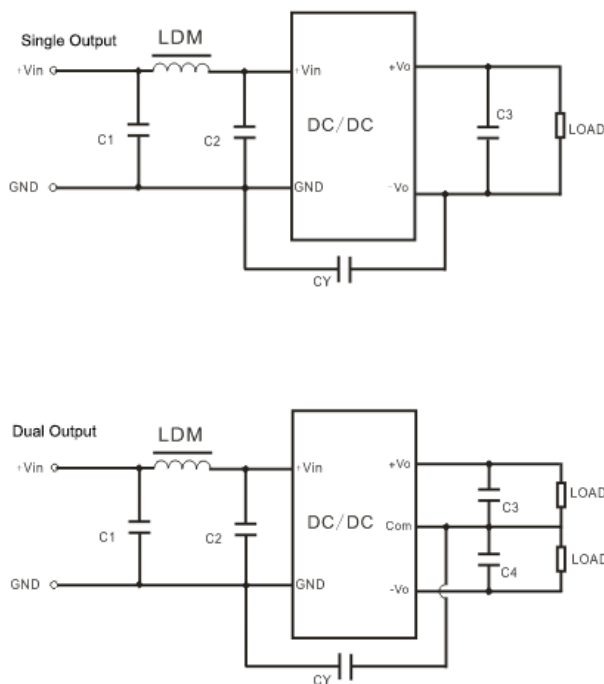
In order to ensure the input/output ripple and noise decreased, capacitor filter net could be connected to input and output terminal, application circuit as below photo 1; choosing suitable filter capacitor is very important, start-up problems may be caused by too large capacitance. To ensure the modules running safely and reliably, the recommended capacitive load values as shown in Table 1.



**Recommended capacitive load value (Table 1)**

Vin (Vdc)	Cin	Single Vout Vdc	Cout (μF)	Dual Vout (Vdc)	Cout (μF)
5	10 μF/16V	3.3	10 μF/16V	±3.3	4.7 μF/16V
12	2.2 μF/25V	5	10 μF/16V	±5	4.7 μF/16V
15	2.2 μF/25V	9	2.2 μF/25V	±9	2.2 μF/25V
24	1 μF/50V	12	2.2 μF/25V	±12	1 μF/25V
--	--	15	1 μF/25V	±15	1 μF/16V
--	--	24	1 μF/50V	±24	0.47 μF/50V

**3. EMC recommended circuit**

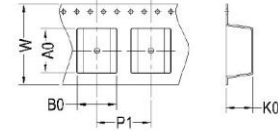
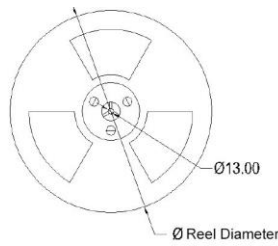
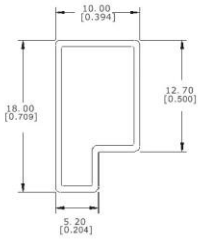


Input Voltage		5VDC	12/15/24VDC
EMI	C1/C2	4.7 μF/16V	4.7 μF/50V
	CY	270pF/2kV	270pF/2kV
	C3	Refer to Cout Spes according to Table 1	
	LDM	6.8 μH	6.8 μH

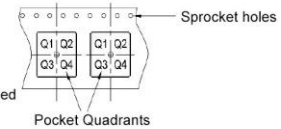
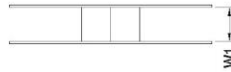
Input Voltage		5VDC	12/15/24VDC
EMI	C1/C2	4.7 μF/16V	4.7 μF/50V
	CY	270pF/3kVdc	270pF/3kVdc
	C3/C4	Refer to Cout Spes according to Table 1	
	LDM	6.8 μH	6.8 μH



**Packing Information**



Quadrant assignments for Pin 1 orientation in tape



Note:  
Unit:mm(inch)  
General tolerance:±1.50[±0.059]  
Single tube packing qty:33pcs  
Carton packing qty:2640pcs  
Size of single tube:525x18x10mm  
Size of carton:542x110x155mm

Packing method: Tube

Packing method: Tape and reel(500pc per reel)

**Note:**

1. If the product is operated under the min. required load, the product performance cannot be guaranteed to comply with all performance indexes in this datasheet;
2. The maximum capacitive load is tested under nominal input voltage range and full load condition;
3. Unless otherwise specified, data in this datasheet are tested under conditions of **Ta=25°C**, **humidity<75%** when inputting nominal voltage and outputting rated load(pure resistance load);
4. All index testing methods in this datasheet are based on our Company's corporate standards.
5. We can provide customized product service;