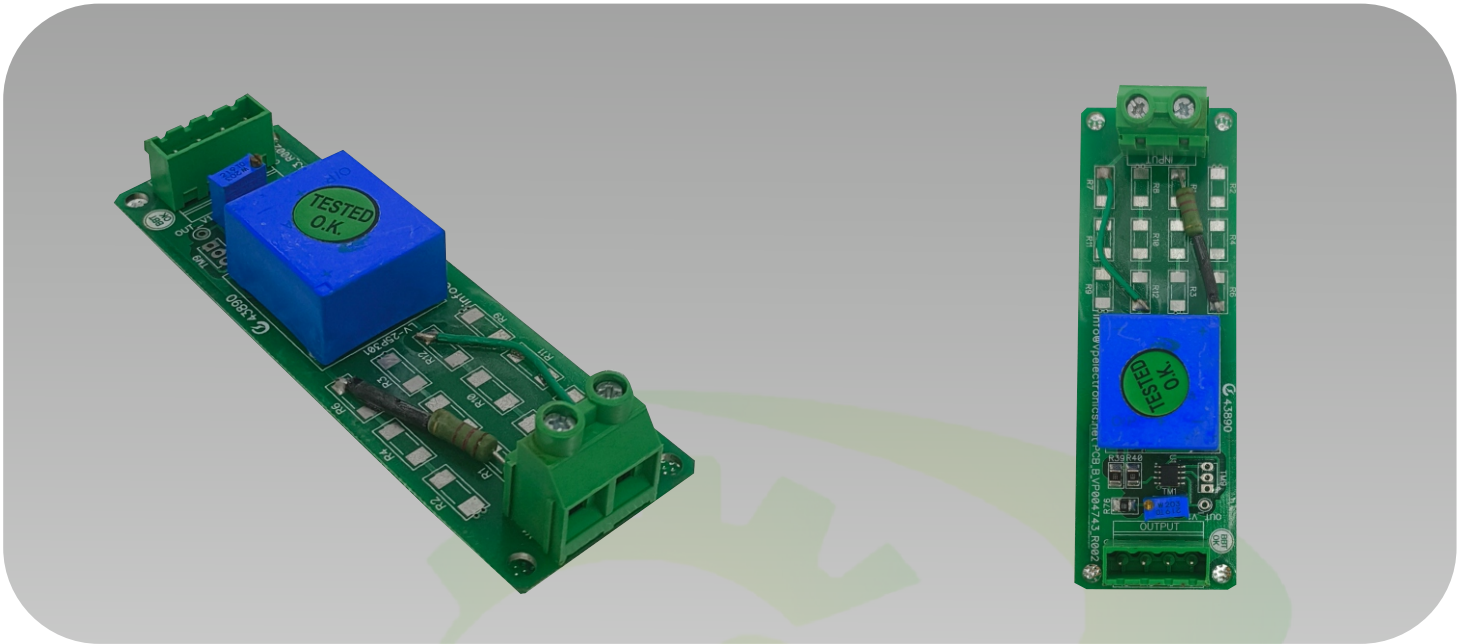




**VP002275**

## **EVA BOARD - TBV10/25A ISOLATED VOLTAGE SENSOR (12V)**



### **APPLICATIONS**

- Voltage isolation AC/DC
- 12V to 12V isolation

### **FEATURES**

- Closed loop (compensated) voltage transducer using the Hall effect
- Insulated plastic case recognized according to UL 94-V0.

### **PRINCIPLE OF USE**

- For voltage measurements, a current proportional to the measured voltage must be passed through an external resistor R 1 which is selected by the user and installed in series with the primary circuit of the transducer

## ADVANTAGES

- Excellent accuracy
- Very good linearity
- Low thermal drift
- Low response time
- High bandwidth
- High immunity to external Interference
- Low disturbance in common mode.

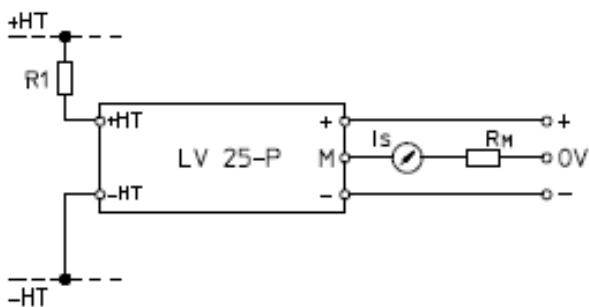
## APPLICATIONS

- AC variable speed drives and servomotor drives
- Static converters for DC motor drives
- Battery supplied applications
- Uninterruptible Power Supplies (UPS)
- Power supplies for welding applications.

## SECONDARY TERMINALS

- Terminal + : supply voltage + 12 .. 15 V
- Terminal M : measure
- Terminal - : supply voltage - 12 .. 15 V

## CONNECTION DIAGRAM



## MECHANICAL CHARACTERISTICS

- General tolerance  $\pm 0.2$  mm
- Fastening & connection of primary 2 pins
- 0.635 x 0.635 mm
- Fastening & connection of secondary 3 pins  $\pm 1$  mm
- Recommended PCB hole 1.2 mm

# MODULE LAYOUT

